



TURCOMAC

TESSA

Horizontal Packaging Solution



SMART

Horizontal Flowpack



System

3 Servo Motor
SIEMENS or OMRON

Capacity

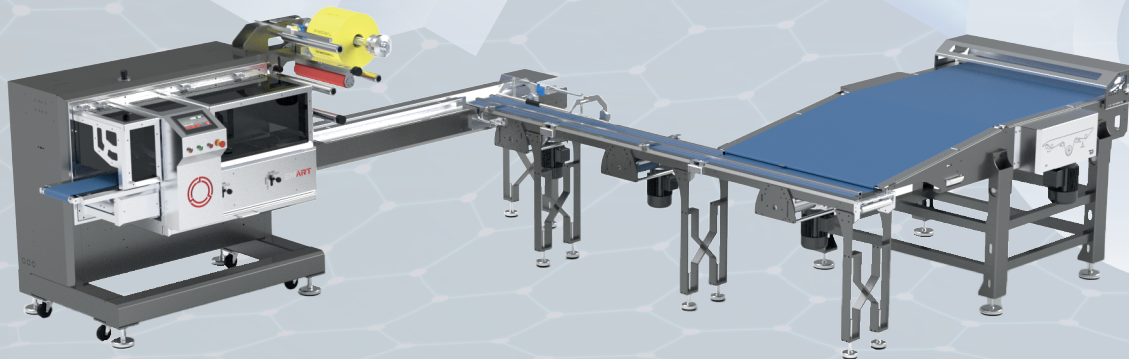
Hot Seal : 200
Cold Seal : 300

Dimensions

W : 1250 mm
S : 3350 mm
H : 1500 mm

SMART 90°

Horizontal Flowpack



System

3 Servo Motor
SIEMENS or OMRON

Capacity

Hot Seal : 200
Cold Seal : 300

Dimensions

W : 2500 mm
S : 3350 mm
H : 1500 mm

SMART INVERSE

Horizontal Flowpack



System

3 Servo Motor
SIEMENS or OMRON

Capacity

Hot Seal : 100
Cold Seal : 100

Dimensions

W : 1250 mm
S : 4800 mm
H : 1300 mm

SMART MOVE

Horizontal Flowpack



System

3 Servo Motor
SIEMENS or OMRON

Capacity

Hot Seal : 80
Cold Seal : 80

Dimensions

W : 1150 mm
S : 3700 mm
H : 1600 mm

SMART LINE

Horizontal Flowpack



System

4 Servo Motor
SIEMENS or OMRON

Capacity

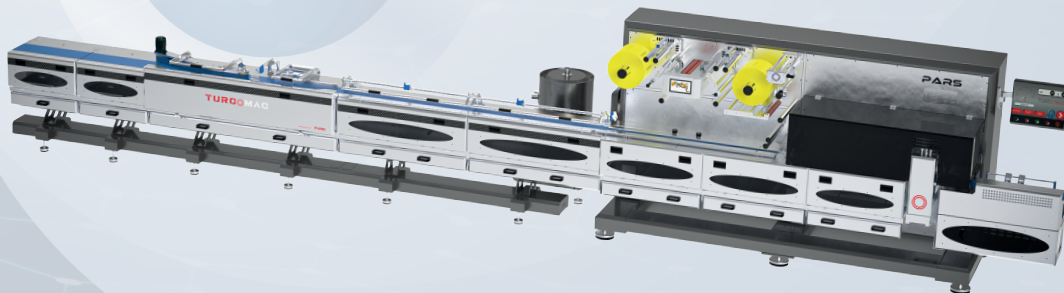
Hot Seal : 250
Cold Seal : 500

Dimensions

W : 1250 mm
S : 8500 mm
H : 1750 mm

PARS

Horizontal Flowpack



System

9 Servo Motor
SIEMENS or OMRON

Capacity

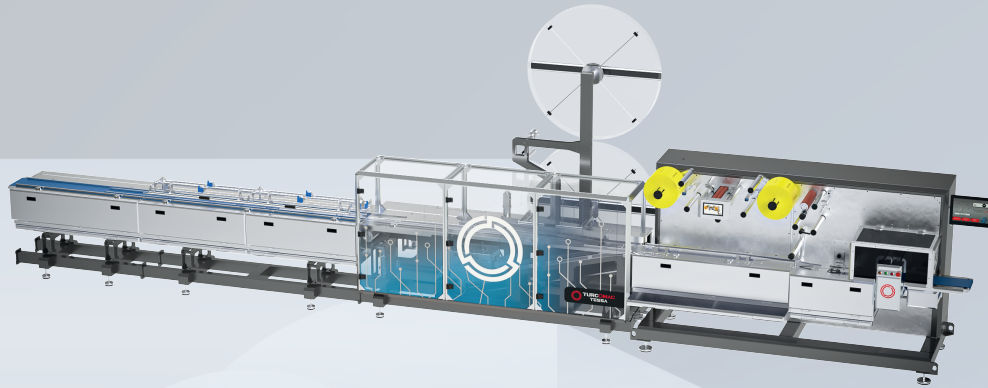
Hot Seal : 250
Cold Seal : 1000

Dimensions

W : 1500 mm
S : 8500 mm
H : 1750 mm

SMARTWINLINE

Horizontal Flowpack



System

7 Servo Motor
SIEMENS or **OMRON**

Capacity

Hot Seal : 150
Cold Seal : 250

Dimensions

W : 1750 mm
S : 8500 mm
H : 1750 mm

SMARTLINE CARTON

Horizontal Flowpack



System

7 Servo Motor
SIEMENS or **OMRON**

Capacity

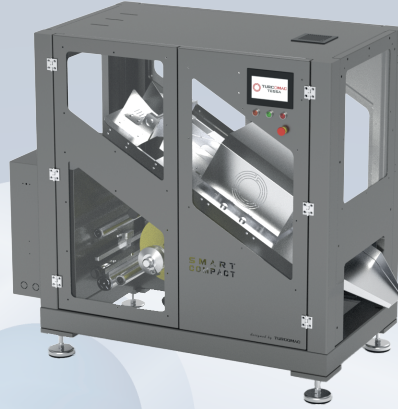
Hot Seal : 200
Cold Seal : 200

Dimensions

W : 1500 mm
S : 8500 mm
H : 1750 mm

COMPACT

45 Degree Flowpack



System

3 Servo Motor
SIEMENS or **OMRON**

Capacity

Hot Seal : 150
Cold Seal : 250

Dimensions

W : 1250 mm
S : 1400 mm
H : 1300 mm

CONTACT US



**SCAN
ME**

www.turcomac.com
info@turcomac.com

+90 542 719 58 83

+90 544 255 62 20

+90 212 741 59 60

Atatürk Mah. Adnan Menderes Cd. No: 15 N, 34522
Esenyurt / İstanbul / TÜRKİYE